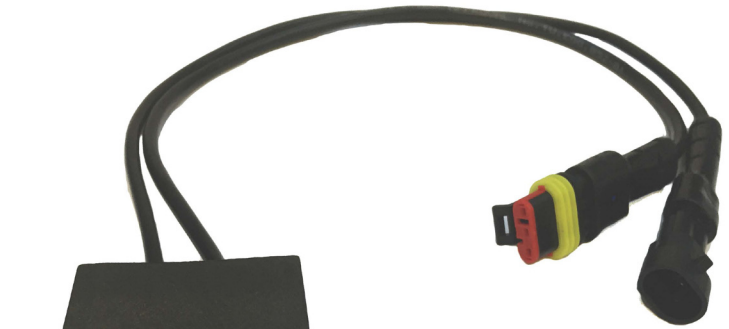
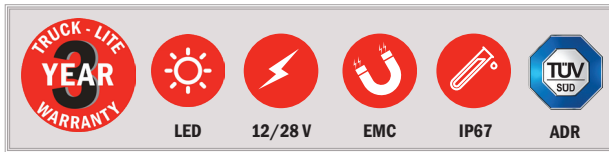


# SIDEMARKER FLASHER UNIT

## MODEL 828

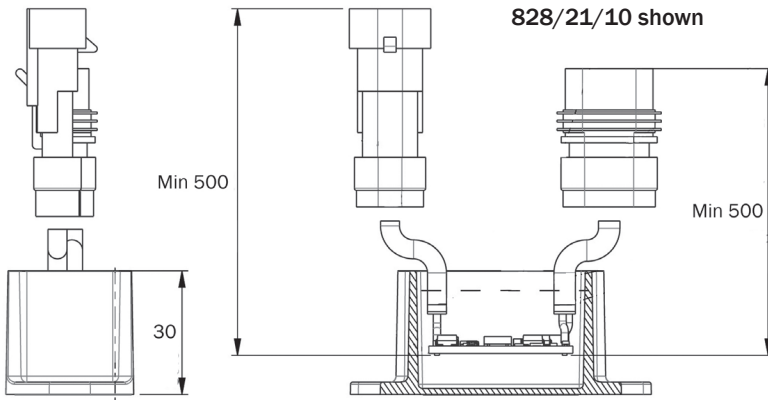
Side Marker Flasher Unit



828/21/10 shown

### Main Features

- Flashes standard side marker lamps in sync with the direction indicator to meet new ECE regulations
- Allows compliance with new legislation for flashing side markers

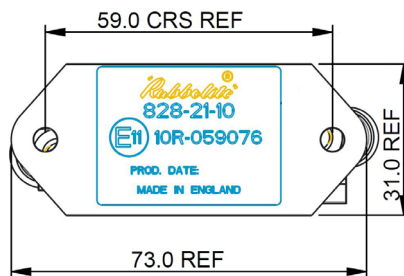


**Rabbolite®**

Part No.	828/21/10
Light Source	LED
Voltage	12/28 Volt
Dimensions	L 73mm x H 30mm x D 31mm
Housing	Polycarbonate
Lens	N/A
Mount/Fixings	59mm Fixing centres - 1.0Nm Torque
Connector	Superseal or Bare ends
Functions	Flashing unit for LED Sidemarkers
Warranty	3 Year
Approvals	EMC, ECE, ADR Approved
Testing	IP67
Application	Truck/Trailer
Power	

### Connection

Superseal



### Part Numbers

- 828/01/10 - Flasher Unit - 500mm harness, Bare ends  
 828/21/10 - Flasher Unit - 500mm harness, Superseal ends